

# Sweet Dreamz Pillow Kit

## Angled Star

### QUICK START GUIDE

#### DIRECTIONS

Approximate Finished Size: 18" x 18"  
Seam allowances are 1/2".

#### Cutting

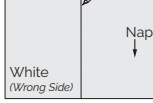
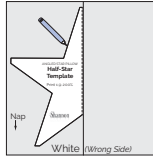
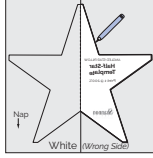
Sample is shown in Navy and White.

- From Navy, cut:
  - 2 (19" x 19"), Pillow Front, Back.
- From White, cut:
  - 1 (21" x 21"), for Appliqué.

Note: Appliqué Star will be cut from the square.

#### Assembly

Prepare the appliqué

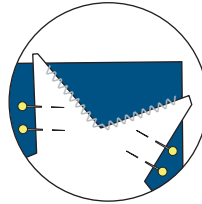
1. Print the Half-Star Template at 200%. Cut it out.
2. Use a fabric-safe marker to draw a vertical line on the wrong side of the Appliqué Square with nap running down.
3. Align the dotted line of the template along this marked line. Flip the Template and trace the other half of the Star.
4. Cut out the Star Appliqué.

#### Appliqué the Star

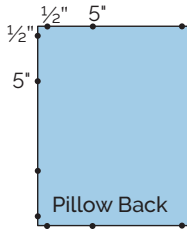
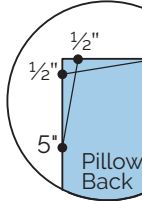
1. Angle the Star on the front of the Pillow Front as shown at the top of the page.

Note: Each of the Star points will extend beyond the edge of the Front.
2. Pin the Star to the Front. Pin the points first, then pin frequently between the points.

3. Zigzag or blanket stitch around the Star. Trim star points to edge of the Pillow Front.

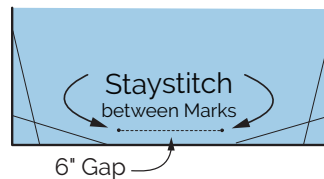


#### Mark the corners

1. Smooth the Pillow Back, wrong side up, on a flat surface.
2. Make a mark 1/2" and 5" from each corner.
3. For stitching guidelines: At each corner, draw a line connecting the 1/2" mark to the 5" mark on the adjacent side. Lines will intersect near the corner.

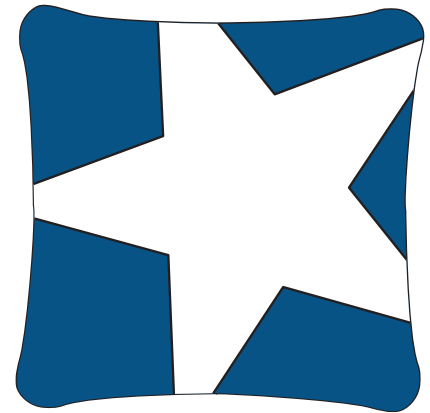
Note: These marks are guidelines for a seam allowance that slightly reduces corner angles, preventing "dog ears".

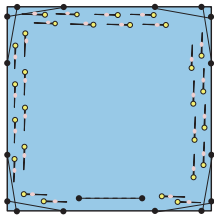
4. Next, mark a 6" gap on the bottom edge of the wrong side of the Pillow Back. Staystitch between the marks.



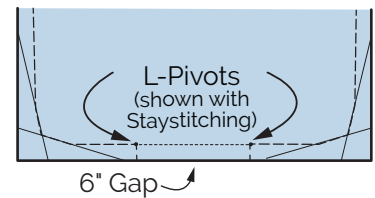
#### More Ideas!

- Additional pillow top designs.
  - Making a zipper-back pillow.
- For additional information, go to:  
Shannonfabrics.com: Learning Center:  
Sweet Dreamz Pillows



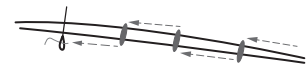
5. On the wrong side of the lower edge of the Pillow Front, mark and staystitch a corresponding 6" gap.
6. With right sides together and naps running down, double pin the Pillow Front to Pillow Back.
7. Sew the edge, following the marked stitching line at the corners and stitching an L-Pivot at the gap.

Note: L-Pivots secure the seam ends as the pillow is turned and help the seam allowance turn in at the gap.



#### Finishing

1. Turn the pillow right side out.
2. Gently push out the corners using a point turner.
3. Insert the pillow form, giving a little extra attention to getting the corners filled.
4. Hand stitch the gap closed using a ladder stitch.



Ladder Stitch: Use polyester thread and a hand sewing needle to catch one side of the opening, then the other. Tighten every few stitches.



ANGLED STAR PILLOW

# Half-Star Template

Print 1 @ 200%

 **Shannon**  
F A B R I C S  
Making The World A Softer Place™

*Note: Star points are  
deliberately blunted.*